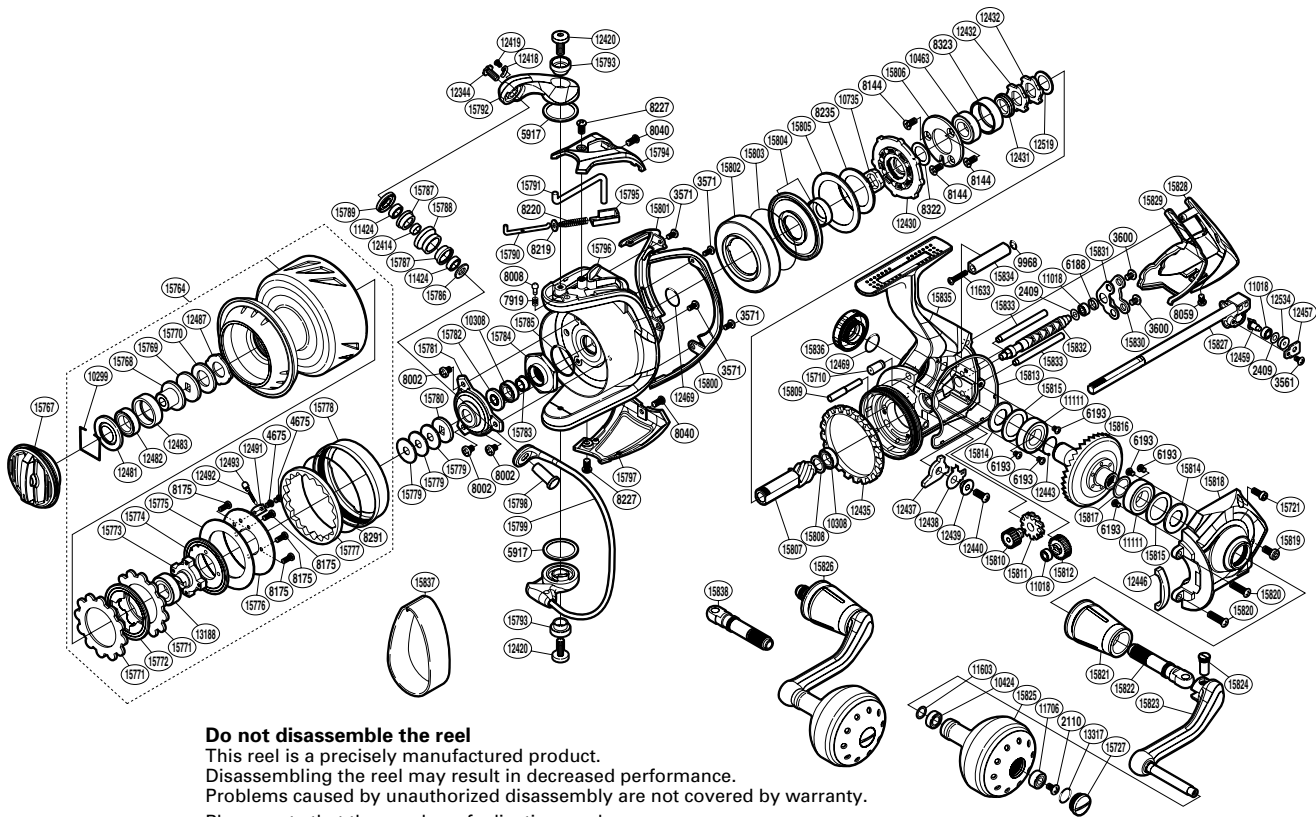


SHIMANO

STELLA SA-RB

STLSW-8000HG



Do not disassemble the reel

This reel is a precisely manufactured product. Disassembling the reel may result in decreased performance. Problems caused by unauthorized disassembly are not covered by warranty.

Please note that the number of adjusting washers may not be the same as shown in the exploded views. (Adjustment will vary with each individual product.)

(51SE25P082X)

Part No.	Description	Part No.	Description	Part No.	Description
RD 2110	Screw	RD12440	Screw	RD15793	Screw Collar
RD 2409	Washer	RD12443	Anti-Reverse Pawl Spring	RD15794	Bail Spring Cover
RD 3561	Screw	RD12446	Friction Ring Spacer	RD15795	Bail Spring Seat
RD 3571	Screw	RD12457	Oscillating Pawl Cover	RD15796	Rotor
RD 3600	Screw	RD12459	Oscillating Pawl	RD15797	Bail Hold Support Guard
RD 4675	Screw	RD12469	O Ring	RD15798	Line Roller Support
RD 5917	Washer	RD12481	Seal Plate	RD15799	Bail Assembly
RD 6188	Worm Shaft Ring	RD12482	Ball Bearing	RD15800	Rotor Guard A
RD 6193	Screw	RD12483	Thrust Bushing	RD15801	Rotor Guard B
RD 7919	Click Spring	RD12487	Eared Washer	RD15802	Roller Clutch Cover
RD 8002	Screw	RD12491	Click Spring Holder	RD15803	O Ring
RD 8008	Click Pin	RD12492	Click Spring	RD15804	Roller Clutch Water Proof Set
RD 8040	Screw	RD12493	Click Pin	RD15805	Roller Clutch Seal
RD 8059	Screw	RD12519	Washer	RD15806	Bearing Retainer
RD 8144	Screw	RD12534	Oscillating Slider Bushing	RD15807	Pinion Gear
RD 8175	Screw	RD13188	Ball Bearing	RD15808	Washer
RD 8219	Spring Guide A Support	RD13317	O Ring	RD15809	Idle Gear B Shaft
RD 8220	Bail Spring	RD15710	Body Flange Seal	RD15810	Idle Gear B S
RD 8227	Screw	RD15721	Screw	RD15811	Idle Gear B L
RD 8235	Roller Clutch Reinforce	RD15727	Handle Knob Seal	RD15812	Idle Gear
RD 8291	O Ring	RD15764	Spool Assembly	RD15813	Body Seal
RD 8322	Washer	RD15767	Drag Knob	RD15814	Bearing Water Proof
RD 8323	Bearing Housing	RD15768	Bearing Support	RD15815	Washer
RD 9968	O Ring	RD15769	Key Washer	RD15816	Drive Gear
RD10299	Drag Washers Retainer	RD15770	Drag Washer	RD15817	Washer
RD10308	Ball Bearing	RD15771	Drag Washer	RD15818	Side Cover
RD10424	Ball Bearing	RD15772	Spool Drag Disk	RD15819	Screw
RD10463	Ball Bearing	RD15773	Bearing Bushing	RD15820	Screw
RD10735	Stopper	RD15774	Spool Drag Disk	RD15821	Handle Shaft Cover
RD11018	Ball Bearing	RD15775	Bearing Water Proof	RD15822	Handle Shaft (left)
RD11111	Ball Bearing	RD15776	Drag Plate Washer	RD15823	Handle Shank Assembly
RD11424	Ball Bearing	RD15777	Drag Click Ratchet	RD15824	Handle Shaft Screw
RD11603	Washer	RD15778	Drag Cover	RD15825	Handle Knob
RD11633	Screw	RD15779	Spool Washer	RD15826	Handle Assembly
RD11706	Ball Bearing	RD15780	Spool Support	RD15827	Main Shaft Assembly
RD12344	Screw	RD15781	Nut Lock Plate	RD15828	Rear Protector
RD12414	Bearing Spacer	RD15782	Bearing Water Proof	RD15829	Rear Shield
RD12418	Screw Retainer	RD15783	Main Shaft Spacer	RD15830	Worm Shaft Retainer
RD12419	Screw Support	RD15784	Rotor Nut	RD15831	Worm Shaft Retainer Washer
RD12420	Screw	RD15785	O Ring	RD15832	Worm Shaft
RD12430	Roller Clutch Assembly	RD15786	Line Roller Support Collar	RD15833	Oscillating Guide
RD12431	Pinion Gear Collar	RD15787	Line Roller Bushing	RD15834	Rear Protector Collar
RD12432	Anti-Reverse Ratchet	RD15788	Line Roller	RD15835	Body
RD12435	Friction Ring	RD15789	Line Roller Plate	RD15836	Handle Screw Cap
RD12437	Assist Anti-Reverse Pawl	RD15790	Bail Spring Guide A		
RD12438	Anti-Reverse Pawl Cover	RD15791	Bail Trip Lever	RD15837	Line Band M (accessory)
RD12439	Anti-Reverse Pawl Collar	RD15792	Bail Arm	RD15838	Handle Shaft (right) (accessory)