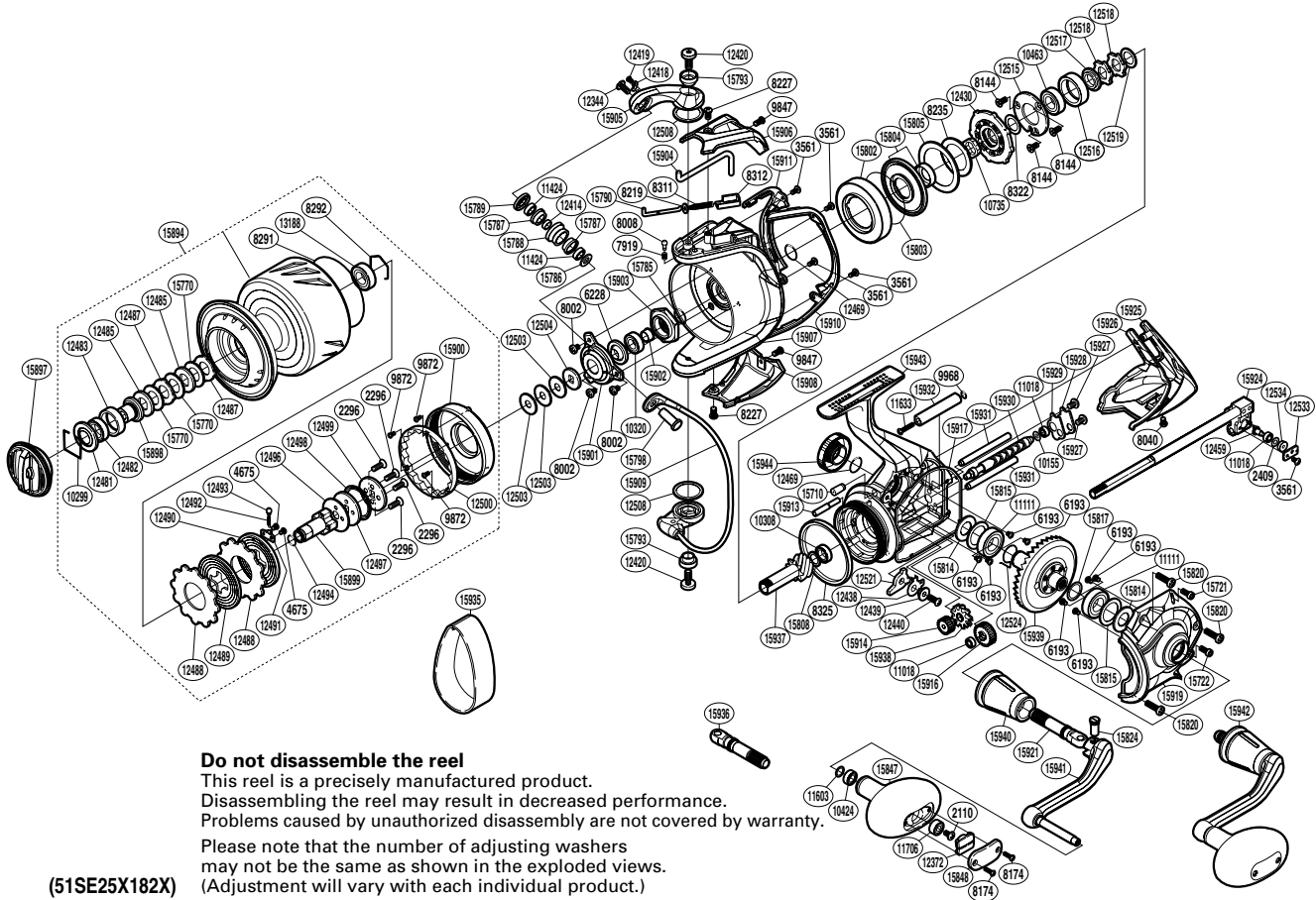


# SHIMANO

STELLA S A-RB

STLSW-18000HG



**Do not disassemble the reel**

This reel is a precisely manufactured product. Disassembling the reel may result in decreased performance. Problems caused by unauthorized disassembly are not covered by warranty.

Please note that the number of adjusting washers may not be the same as shown in the exploded views. (Adjustment will vary with each individual product.)

(51SE25X182X)

Part No.	Description	Part No.	Description	Part No.	Description
RD 2110	Screw	RD12469	O Ring	RD15815	Washer
RD 2296	Screw	RD12481	Seal Plate	RD15817	Washer
RD 2409	Washer	RD12482	Ball Bearing	RD15820	Screw
RD 3561	Screw	RD12483	Thrust Bushing	RD15824	Handle Shaft Screw
RD 4675	Screw	RD12487	Key Washer	RD15847	Handle Knob
RD 6193	Screw	RD12488	Eared Washer	RD15848	Handle Knob I.D. Plate
RD 6228	Bearing Water Proof	RD12489	Drag Washer	RD15894	Spool Assembly
RD 7919	Click Spring	RD12490	Spool Drag Disk	RD15897	Drag Knob
RD 8002	Screw	RD12491	Click Spring Holder	RD15898	Bearing Support
RD 8008	Click Pin	RD12492	Click Spring	RD15899	Bearing Bushing
RD 8040	Screw	RD12493	Click Pin	RD15900	Drag Cover
RD 8144	Screw	RD12494	O Ring	RD15901	Nut Lock Plate
RD 8174	Screw	RD12496	Spool Support C	RD15902	Main Shaft Spacer
RD 8219	Spring Guide A Support	RD12497	Spool Support A	RD15903	Rotor Nut
RD 8227	Screw	RD12498	Bearing Water Proof	RD15904	Bail Trip Lever
RD 8235	Roller Clutch Reinforce	RD12499	Spool Support B	RD15905	Bail Arm
RD 8291	O Ring	RD12500	Drag Click Ratchet	RD15906	Bail Spring Cover
RD 8292	Bearing Retainer	RD12503	Spool Washer	RD15907	Rotor
RD 8311	Bail Spring	RD12504	Spool Support D	RD15908	Bail Hold Support Guard
RD 8312	Bail Spring Seat	RD12508	Washer	RD15909	Bail Assembly
RD 8322	Washer	RD12515	Bearing Retainer	RD15910	Rotor Guard A
RD 8325	Friction Ring	RD12516	Bearing Housing	RD15911	Rotor Guard B
RD 9847	Screw	RD12517	Pinion Gear Collar	RD15913	Idle Gear B Shaft
RD 9872	Screw	RD12518	Anti-Reverse Ratchet	RD15914	Idle Gear B S
RD 9968	O Ring	RD12519	Washer	RD15916	Idle Gear
RD10155	Spacer	RD12521	Assist Anti-Reverse Pawl	RD15917	Body Seal
RD10299	Drag Washers Retainer	RD12524	Anti-Reverse Pawl Spring	RD15919	Side Cover
RD10308	Ball Bearing	RD12533	Oscillating Pawl Cover	RD15921	Handle Shaft (left)
RD10320	Ball Bearing	RD12534	Oscillating Slider Bushing	RD15924	Main Shaft Assembly
RD10424	Ball Bearing	RD13188	Ball Bearing	RD15925	Rear Protector
RD10463	Ball Bearing	RD15710	Body Flange Seal	RD15926	Rear Shield
RD10735	Stopper	RD15721	Screw	RD15927	Screw
RD11018	Ball Bearing	RD15722	Screw	RD15928	Worm Shaft Retainer
RD11111	Ball Bearing	RD15770	Drag Washer	RD15929	Worm Shaft Retainer Washer
RD11424	Ball Bearing	RD15785	O Ring	RD15930	Worm Shaft
RD11603	Washer	RD15786	Line Roller Support Collar	RD15931	Oscillating Guide
RD11633	Screw	RD15787	Line Roller Bushing	RD15932	Rear Protector Collar
RD11706	Ball Bearing	RD15788	Line Roller	RD15937	Pinion Gear
RD12344	Screw	RD15789	Line Roller Plate	RD15938	Idle Gear B L
RD12372	Handle Knob Seal	RD15790	Bail Spring Guide A	RD15939	Drive Gear
RD12414	Bearing Spacer	RD15793	Screw Collar	RD15940	Handle Shaft Cover
RD12418	Screw Retainer	RD15798	Line Roller Support	RD15941	Handle Shank Assembly
RD12419	Screw Support	RD15802	Roller Clutch Cover	RD15942	Handle Assembly
RD12420	Screw	RD15803	O Ring	RD15943	Body
RD12430	Roller Clutch Assembly	RD15804	Roller Clutch Water Proof Set	RD15944	Handle Screw Cap
RD12438	Anti-Reverse Pawl Cover	RD15805	Roller Clutch Seal		
RD12439	Anti-Reverse Pawl Collar	RD15808	Washer	RD15935	Line Band L (accessory)
RD12440	Screw	RD15814	Bearing Water Proof	RD15936	Handle Shaft (right) (accessory)
RD12459	Oscillating Pawl				